

orkanda[®]

H O M E L I F T



HANDICARE 1100
Catalogue Product



Handicare 1100 gives me complete freedom and makes me confident to move around the house safely every day.

Features

- Patented Multi-Drive Technology**
- Ultra Thin Rail**
- Constant Load**
- Compact and Foldable**
- Easy to Use and Maintain**
- Powered Footrest Available and Swivel Option**



Safe Working Load (SWL)

30-45 : 309 lb (140 kg)
46-50 : 287 lb (130 kg)



Warranty

2 Years
(Terms and Condition Applies)

Regain your **independence** and conquer the **struggles** or staircases.

The Handicare 1100 offers a chairlift solution that provides freedom of movement throughout your home, allowing you to age on the spot without the hassles of everyday life. Our compact and adjustable fit can be installed anywhere. We have dozens of satisfied customers with our large selection of chairlifts.

Ultra slim profile. Revolutionary drive system.

Handicare 1100 features next-generation technology in an ultra-slim design that doesn't take up much space on your stairs. The patented Multi-Drive Friction System will ensure your chairlift is operating at peak levels at all times without a drop in performance.

We ditched the traditional rack and pinion model and invested in a friction drive system to power our gen net chairlift. We've achieved a quieter, smoother, sturdier chairlift that's much easier to maintain. The contemporary design allows the Orka 1100 to blend into any environment, becoming a complementary part of your home.



Compact

Handicare 1100 folds easily maximizing space for family members to go up and down stairs as needed



Easy to Use

Ergonomic and intuitive to use, the joystick on the palm rest operates the Orka 1100 smoothly.



Easy to Maintain

The Handicare 1100 has four brush heads that constantly clean the rails of dust and hair, ensuring your lift is always spotless. The gear rack-free design also eliminates the need for grease on the rails offering a clean finish today and tomorrow.



Always Charged

The Handicare 1100 comes standard with continuous charging, your lift is always charged anywhere on the track.



Retractable Seatbelt

Handicare 1100 folds easily maximizing space for family members to go up and down stairs as needed



Patented Multi-Drive Friction Technology

Handicare 1100 folds easily maximizing space for family members to go up and down stairs as needed



Safety First

The optional powered footrest allows you to fold and unfold the footrest without having to bend over, the non-slip texture of the footrest provides better grip on the foot when sitting and going.



Swivel Automatically

Optional powered swivel makes it easy to get off the lift at the top of the landing, simply hold down the toggle switch in the landing direction to rotate the seat for a controlled departure.





Vanilla Beige

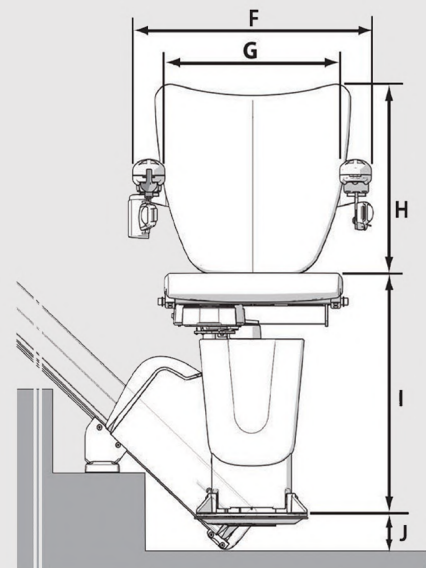
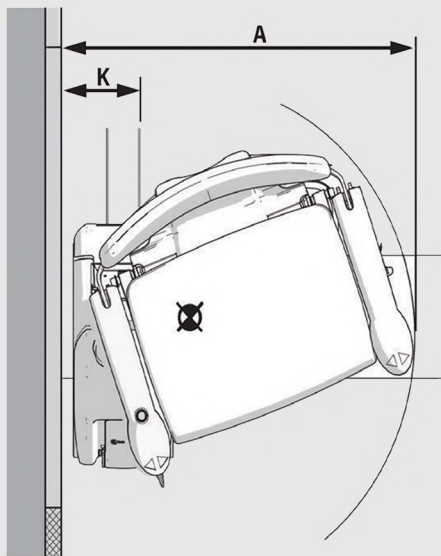
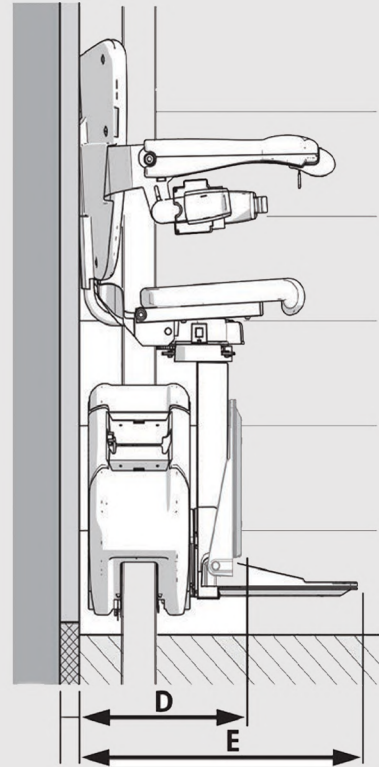
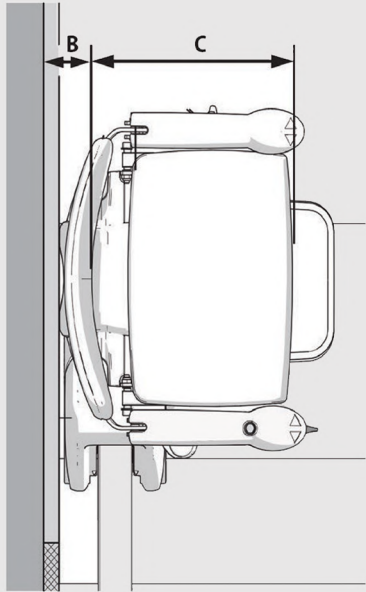
A Stairlift Suited for Any Interior

We designed the Handicare 1100 to be a smart and stylish complement to everything else in your home. The contemporary design is welcome in any home décor and is available in a warm vanilla beige finish.

Featuring our comfortable stylish chairs in faux leather upholstery, the seat surface is easy to clean and easy to clean.

Ultra-thin rails beautify the Handicare 1100, only no other rail on the market competes with its overall look and slim profile, unobtrusive design.

— Specification



orkanda

orkanda

Orka 1100 Style Seat Dimensions

Safe Working Load

30-45 : 309 lb (140 Kg)
46-50 : 287 lb (130 Kg)

Staircase Angel

30 - 50

Speed

0.5 ft/sec (0.15 m/sec)

A	Swivel radius	25.4 in (645 mm)
B	Wall to inner seat back	2.4 in (60 mm)
C	Seat depth	15.4 in (390 mm)
D	Folded width to edge footplate, minimum	12.6 in (320 mm)
E	Open width to edge footplate, minimum	20.9 in (530 mm)
F	Armrest width, external	22.6 in (575 mm)
G	Armrest width, internal	17.7 in (450 mm)
H	Seat back height	15.7 in (400 mm)
I	Footplate to seat height	16.9-20.5 in (430-520 mm)
J	Footplate to height, minimum	2.75 in (70 mm)
K	Track instruction into staircase, minimum	6.3 in (160 mm)

orkanda

www.orkanda.co.id

Jakarta

Ruko Graha Boulevard,
Jl. Raya Boulevard, RW.1, Klp. Gading Tim,
Kec. Klp. Gading, DKI Jakarta 14240

Surabaya

Jl. Bangka No.8-A, Gubeng,
Kec. Gubeng, Kota SBY, Jawa Timur 60271

Medan

Jl. Puri No.102 A Kota Matsum IV,
Medan, Sumatera Utara 20211

Makassar

Jl. Monginsidi No. 32d, RT.3,
Maricaya Baru, Kec. Makassar,
Sulawesi Selatan 90142



Orkanda lifts Indonesia



@orkandaliftindonesia



@orkanda.id



Orkanda Lift Indonesia



www.orkanda.co.id



(021) 22454705